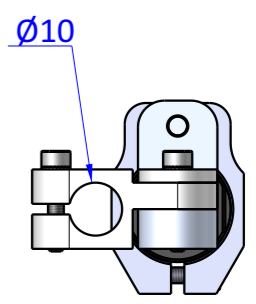
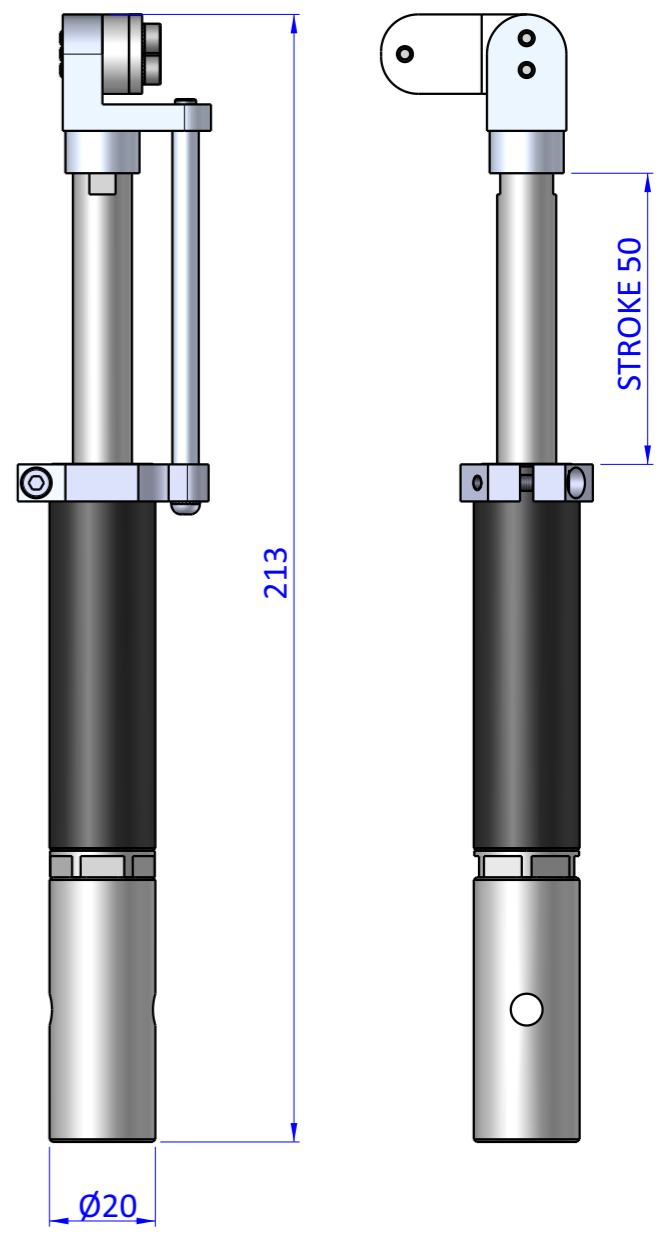
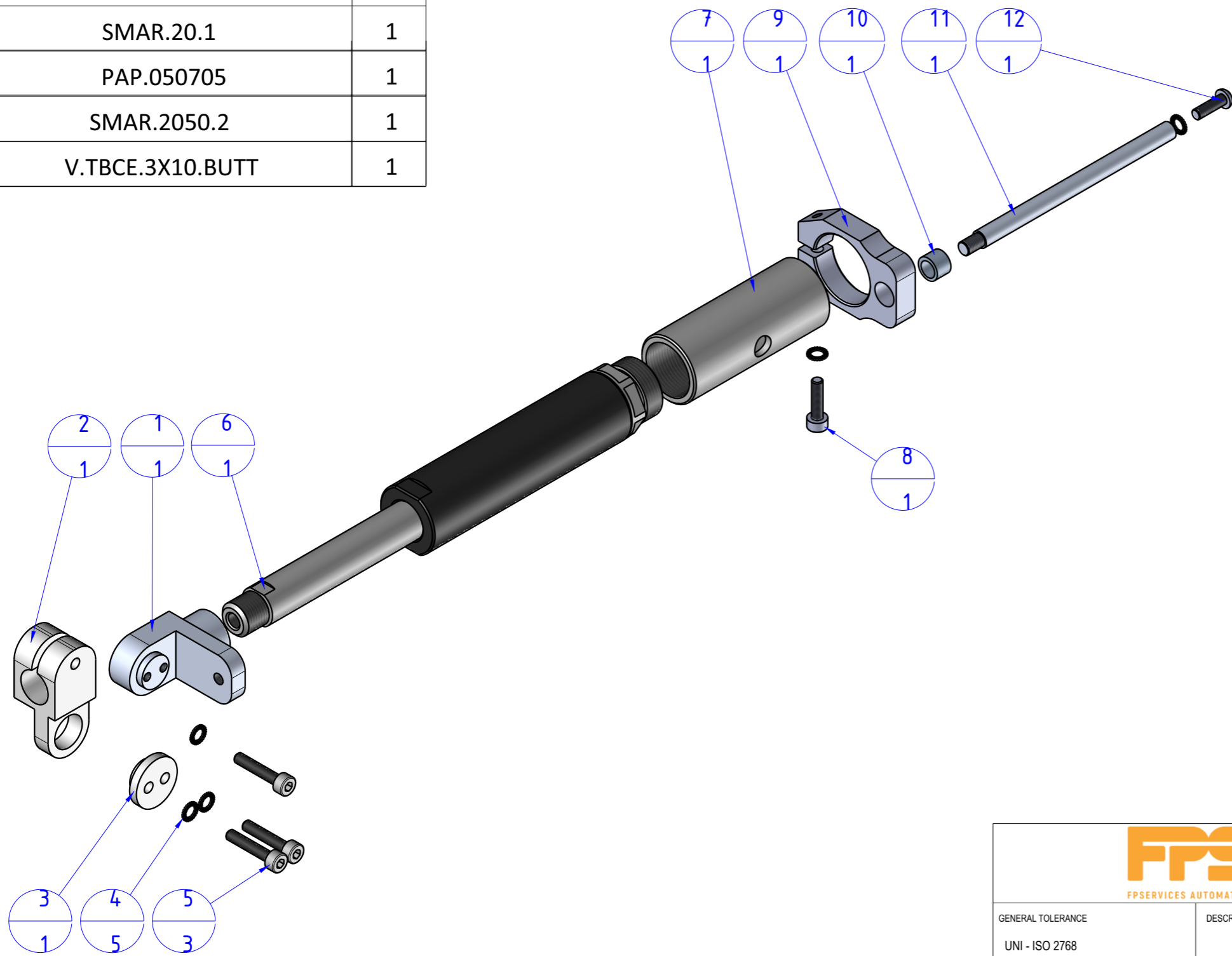

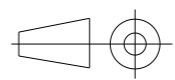


THE PROPERTY OF THE DRAWING IS ESTABLISHED BY LAW. IT IS FORBIDDEN TO PRODUCE OR SHOW IT TO THIRD PART. WITHOUT A WRITTEN AGREEMENT.

Item	Name	Q.ty
1	SMAR.20.2	1
2	GVR.10.2	1
3	GVR.10.3	1
4	R.3.SCH	5
5	V.TCE3x16	3
6	CA.SAR.2050	1
7	CA.VLR.20.50	1
8	V.TCE3x12	1
9	SMAR.20.1	1
10	PAP.050705	1
11	SMAR.2050.2	1
12	V.TBCE.3X10.BUTT	1



Format A3
UNI 936-76

 FPS FPSERVICES AUTOMATION			DESIGNED FROM FPS Automation	REVIEW A
GENERAL TOLERANCE UNI - ISO 2768 CLASSE f	DESCRIPTION CA.SMAR.2050	DATE 19/03/2020	WEIGHT 0,110kg	CODE CA.SMAR.2050